

P&RTECH

LEDBright SERIES ILLUMINATION



Certified To:
UL1598 / UL1598A
CSA 22.2 NO. 250.0-04

Suitable for wet locations

FEATURES / BENEFITS

- ▲ State-of-the-art LED light source
- ▲ Long-lasting
- ▲ Reduces risk exposure to maintenance workers associated with traditional lamp & ballast replacement
- ▲ Low power consumption
- ▲ Superior color rendition index compared to HPS; LPS; MH
- ▲ Instant on/off operation - no cool down or warm up time required for full illumination
- ▲ Highly resistant to vibration and shock
- ▲ Wide operating voltage range via universal input supply (120 - 277 VAC)
- ▲ Weather / corrosion resistant light engine and housing
- ▲ ETL listed
- ▲ Power factor > .9
- ▲ 5 year warranty

PATENTS PENDING

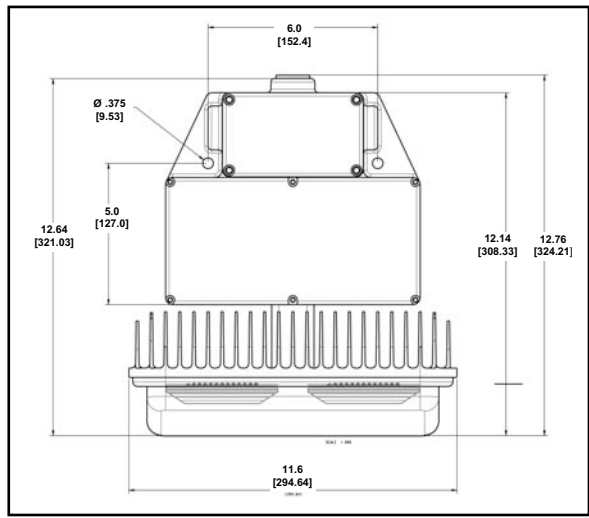


APPLICATION

P&R Tech introduces the new, state-of-the-art fixture for general illumination, monument illumination, or general area illumination. Its rugged solid state design ushers in a new era in which dangerous, expensive, maintenance costs associated with failed lamps and ballasts become a thing of the past. This light incorporates both cutting edge LED technology along with highly efficient secondary optics to achieve area illumination comparable with traditional light sources. And it does it more efficiently, more safely, more reliably, and with better color rendition. Whether your application is high bay illumination, corporation yard area illumination, flag pole illumination, or wall illumination, this is the product that will fill the bill.

SPECIFICATIONS

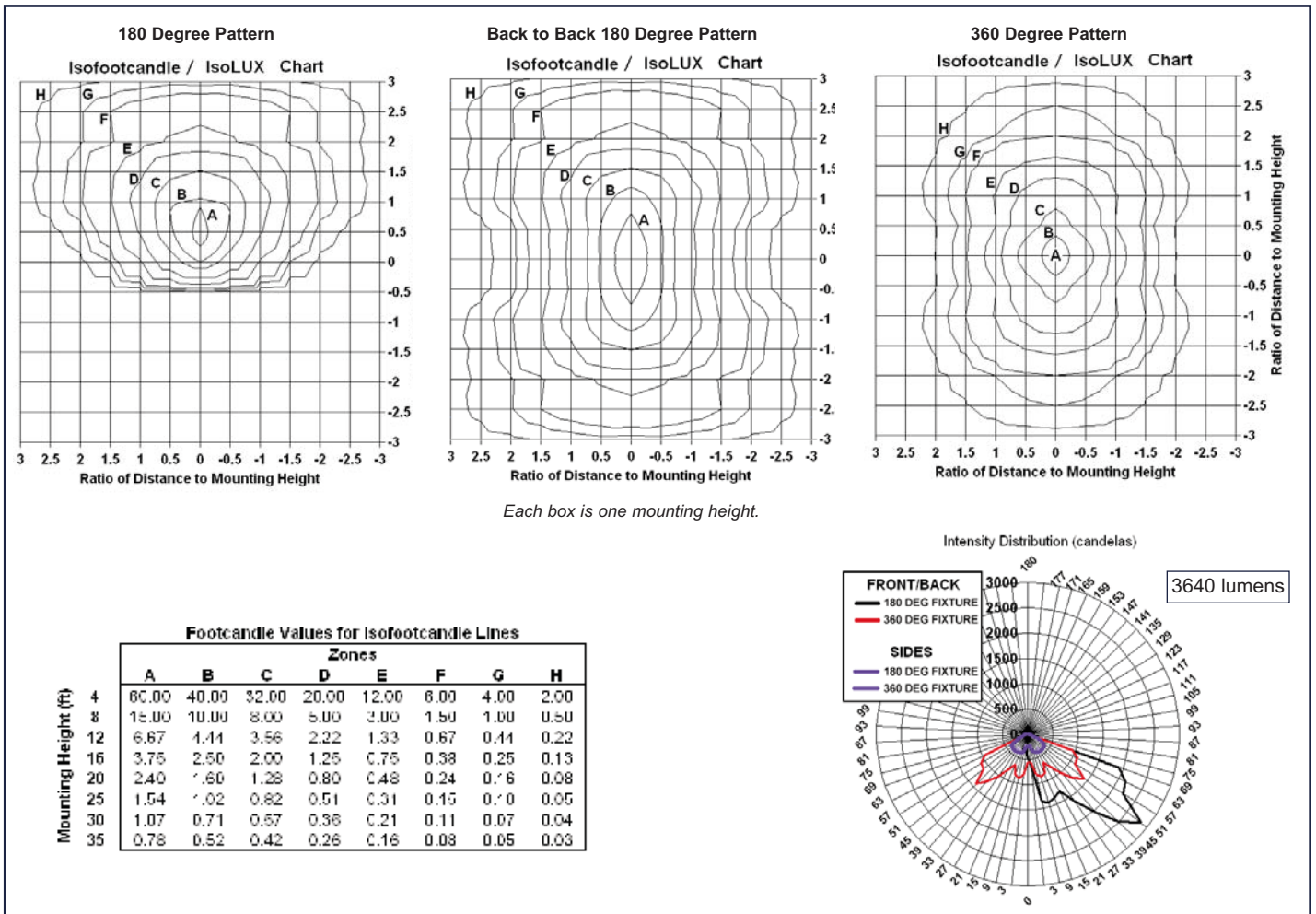
- ▲ **Operating Voltage** : 120 - 277 (50 / 60 hz)
- ▲ **Power Consumption** : 100 Watts - nominal
- ▲ **Lightsource** : LEDs > 10+ year life expectancy
- ▲ **Operating / Storage Temperature** : -40° to +55°C
- ▲ **Surge / Lighting Protection** : 1 kV line to line
2 kV line to ground
- ▲ **Rated Life** : 70% lumen maintenance over 60,000 operating hours
- ▲ **Harmonics** : IEC 6100-3-2



Dimensions in Inches [mm]

P&R Technologies, Inc. www.pr-tech.com
P.O. Box 554 503-292-8682
Portland, Oregon 97207 Fax 503-292-8697

PHOTOMETRIC DATA



ORDERING INFORMATION

Product	Description
STW-00-050-1111-201	LEDBright 180 degree beam, 120-277 VAC
STW-00-050-1111-301	LEDBright 360 degree beam, 120-277 VAC
HZC-3000	Stanchion Bracket
HZC-3001	180° Adjustable Fixture Mounting Bracket
HZC-3002	Dual Stanchion Bracket (For mounting 2 fixtures back to back)
HZC-3003	Pipe Mount Clamp Kit (includes HZC-3001)

WEIGHTS & MEASUREMENTS

Approx. Shipping Weight	Container Dimensions
19 Lbs (8.2 kg)	15" X 16" X 10" (381mm x 406mm x 254mm)

UNIT ELECTRICAL SPECIFICATIONS

Supply Voltage (+/- 10%) (50 or 60 Hz)		Input Volt-amps or power (VA or W)			Power Factor
Min	Max	Min	Nom	Max	Typ
120	277	85	100	115	0.98