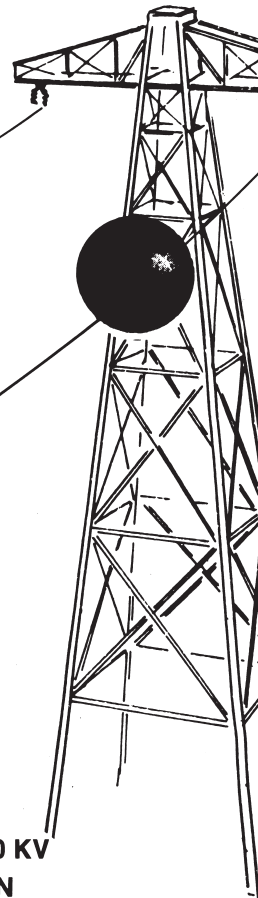


REDBELL MODEL
A-20

POWER LINE MARKERS

F.O.B.
Portland, Oregon



- 20" DIAMETER
- INTERNATIONAL ORANGE
- UNIVERSAL APPLICATION
All Lines .1" to 1" Diameter Under 200 KV
- RUGGED ACRYLIC CONSTRUCTION
#1 in Weatherability
- EASY INSTALLATION
- LOW SHIPPING COST
Halves Nested
- EXPERIENCED SINCE 1952
- MEETS FAA REQUIREMENTS

GENERAL P & R Industries introduces a major step forward in universal markers for power lines. The universal Model A-20 can be applied on all lines up to 200 KV and the same marker can be installed on any line between .1" and 1" in diameter. Shipping costs are reduced because the halves are nested in shipment.

ACRYLIC CONSTRUCTION Redbell first introduced the original, successful fibreglass power line marker in 1952 and has produced markers installed on power lines of over 400 utilities. Redbell's experience has proven that the acrylic construction is a major improvement over fibreglass. Certainly acrylic is recognized as #1 in Weatherability, retaining its brilliant color much better than fibreglass and is more rugged.

EASY INSTALLATION The Redbell Marker utilizes exclusive TygrGRIP rubber strips to firmly hold the marker on the line. The rubber is wound around the line to a 1" diameter, and the halves are bolted together, clamping the TygrGRIP firmly into the strands for long, troublefree life.

OPTIONS For lines greater than 1" diameter, or where it is desired to have a much firmer grip on the line due to anticipated heavy ice loading etc., we also offer (at extra cost) imbedded preform designed specifically for the power line. Call for Model M20P and give the specific power line size and type.

It is our experience that when markers are installed on lines above 200 KV, a corona problem exists that can burn down the marker; therefore, the markers must be coated with an exclusive corona-free coating. Preform attachments must be used. Call for Model M42PEHV.

P&RTECH

P&R Technologies, Inc.

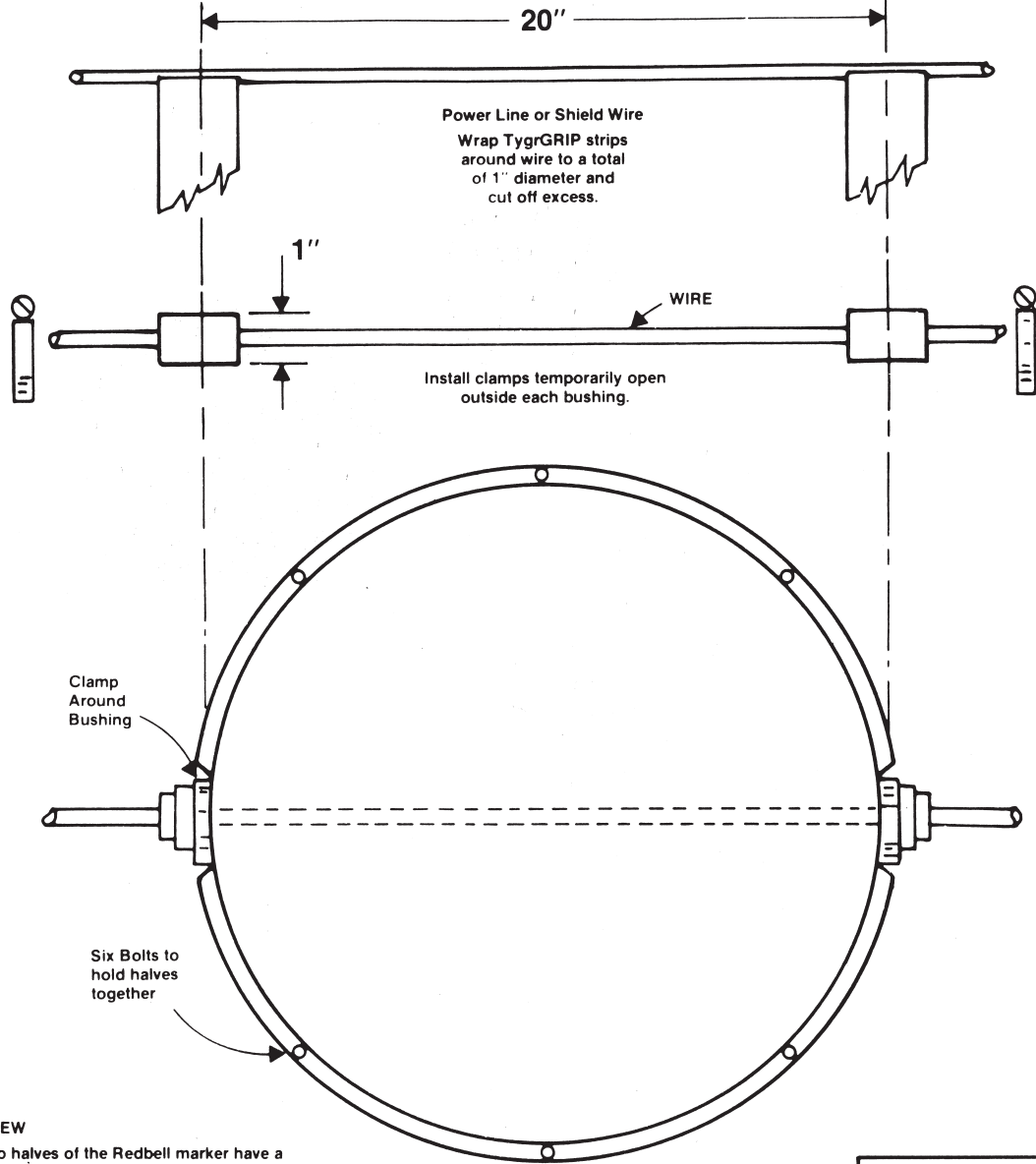
P.O. Box 554

Portland, Oregon 97207

503/292-8682

REDBELL POWER LINE MARKERS

INSTALLATION



TOP VIEW

The two halves of the Redbell marker have a built-in channel that fits over, and clamps down on, the 1" diameter TygrGRIP wrapping. The channel is compressed by the clamps over the outside of the marker channel. The two halves are further held together by six bolts around the rim of the two halves. Probably, the easiest installation procedure is to put the two halves together, with the channels over the 1" TygrGRIP wrappings, temporarily put tape around the outside of each end of the marker to hold it in place, install the clamps over the tape, install the bolts to further clamp the two halves together.

P&RTECH

P&R Technologies, Inc.
P.O. Box 554
Portland, Oregon 97207
Phone 503-292-8682
Fax 503-292-8697
www.pr-tech.com

THE MIDDLE PRICE MARKER —

The Redbell

The Redbell Marker is also made of long color life Rovel ABS, but it uses rubber strips wrapped around the line up to 1½" diameter, and the two halves of the marker are clamped together over the strips. Not as good an attaching means as the SpanGUARD. Unsuitable attachment for markers 24" and 36" diameter.

DIAMETER

MODEL A9
MODEL A20

9"
20"